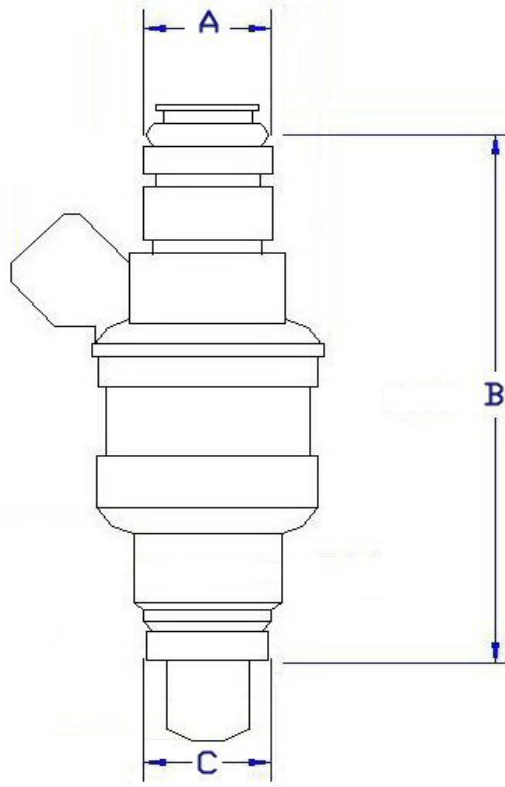


36 lb/hr (380 cc/min) Pro Import Injector

05380PI

36lb/hr (380 cc/min) high impedance injector. Fits many Japanese/import applications.

| Technical Specifications | | | |
|-----------------------------|-------------------------|------------|--|
| Flow Rate, lb/hr | 36 | | |
| Flow Rate, cc/min | 380 | | |
| Impedance | High | | |
| Connector Style | Rectangular (minitimer) | | |
| Dimensions* | | | |
| A (upper o-ring) | 0.430 inch | 11 mm | |
| B (o-ring to o-ring length) | 2.5 inch | 63.5 mm | |
| C (lower o-ring) | 0.630 inch | 16 mm | |
| Recommended accessories | Component | P/N | |
| | Connector w/ wires: | 0810 | |
| | Connector only: | 0811 | |



*Dimensions given are nominal and may vary slightly. For reference purposes only.

marren fuel injection

91 Willenbrock Road, Unit B2
Oxford, CT 06478
203-267-FUEL (3835)
www.injector.com

marren